



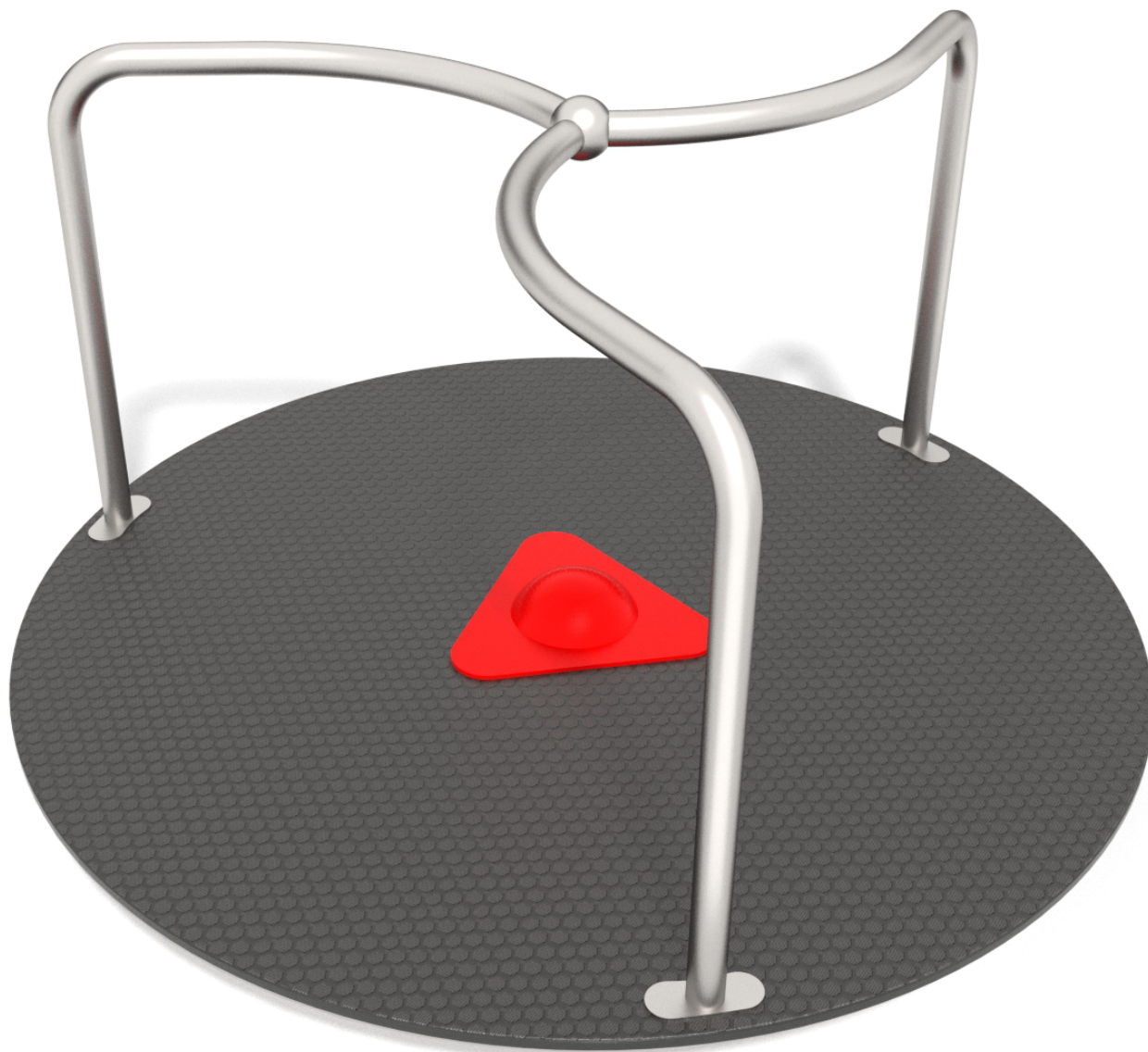
SOCIALIZING



SENSORIAL  
INTEGRATION

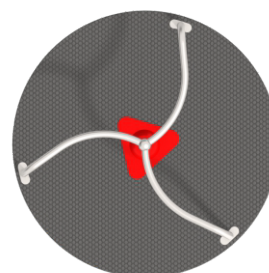


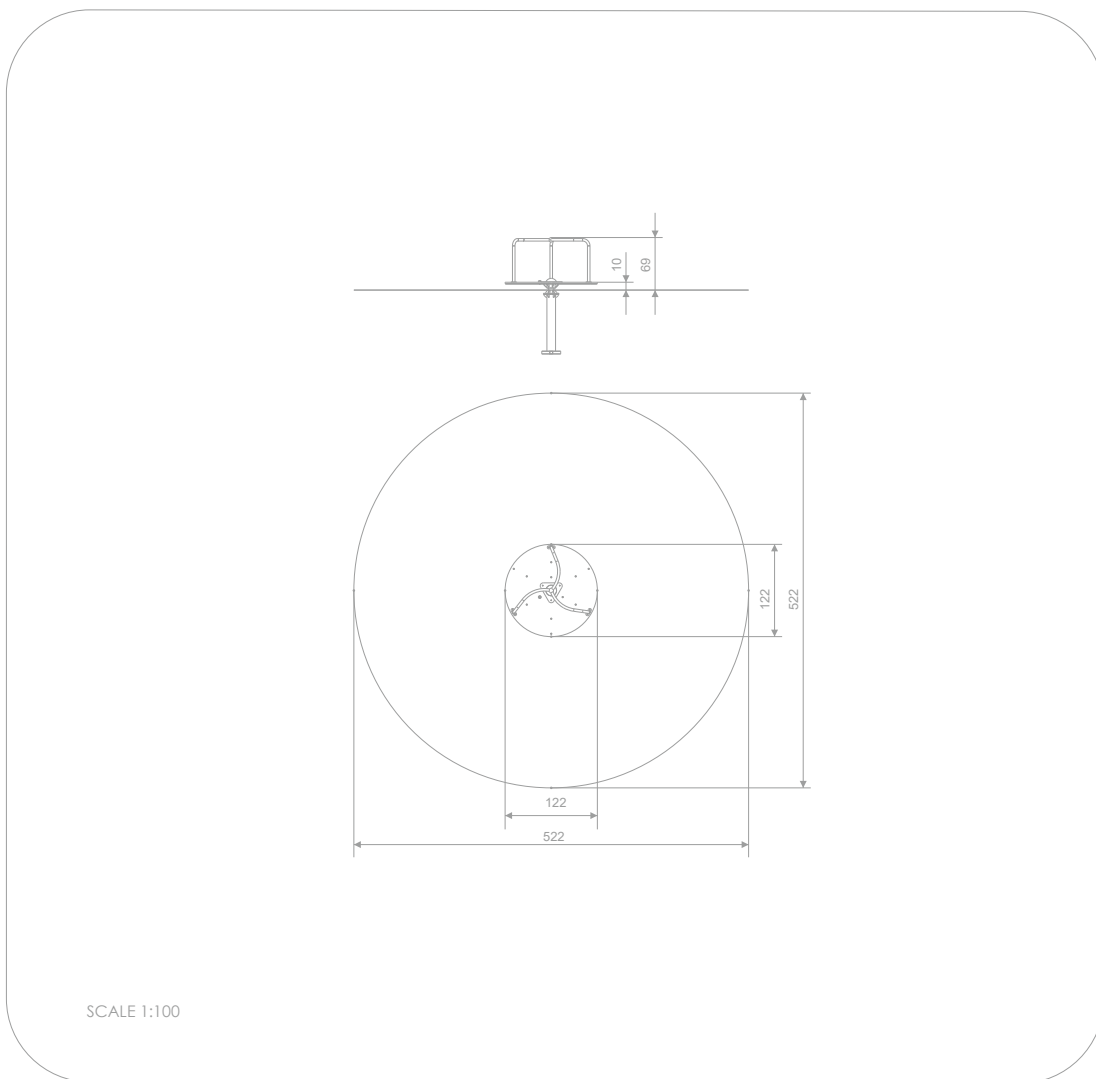
SPINNING



#### INFORMATION ABOUT THE PRODUCT

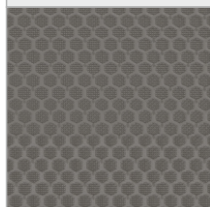
Dimensions	122 x 122 cm
Safety zone	522 x 522 cm
Safety zone area	21,4 m <sup>2</sup>
Overall height	69 cm
Free fall height	69 cm
Amount of users	4
Product complies with EN 1176-1:2017-12	YES
Availability of spare parts	YES
Age range	3-12
According to EN 1176-1:2017-12 norm, the product requires applying a safety surface according to the product's free fall height.	





MATERIALS:

ANTI-SLIP HEXA 18 MM H  
PLATFORM PLATE  
SERIES: SMART



STAINLESS STEEL AISI 304

